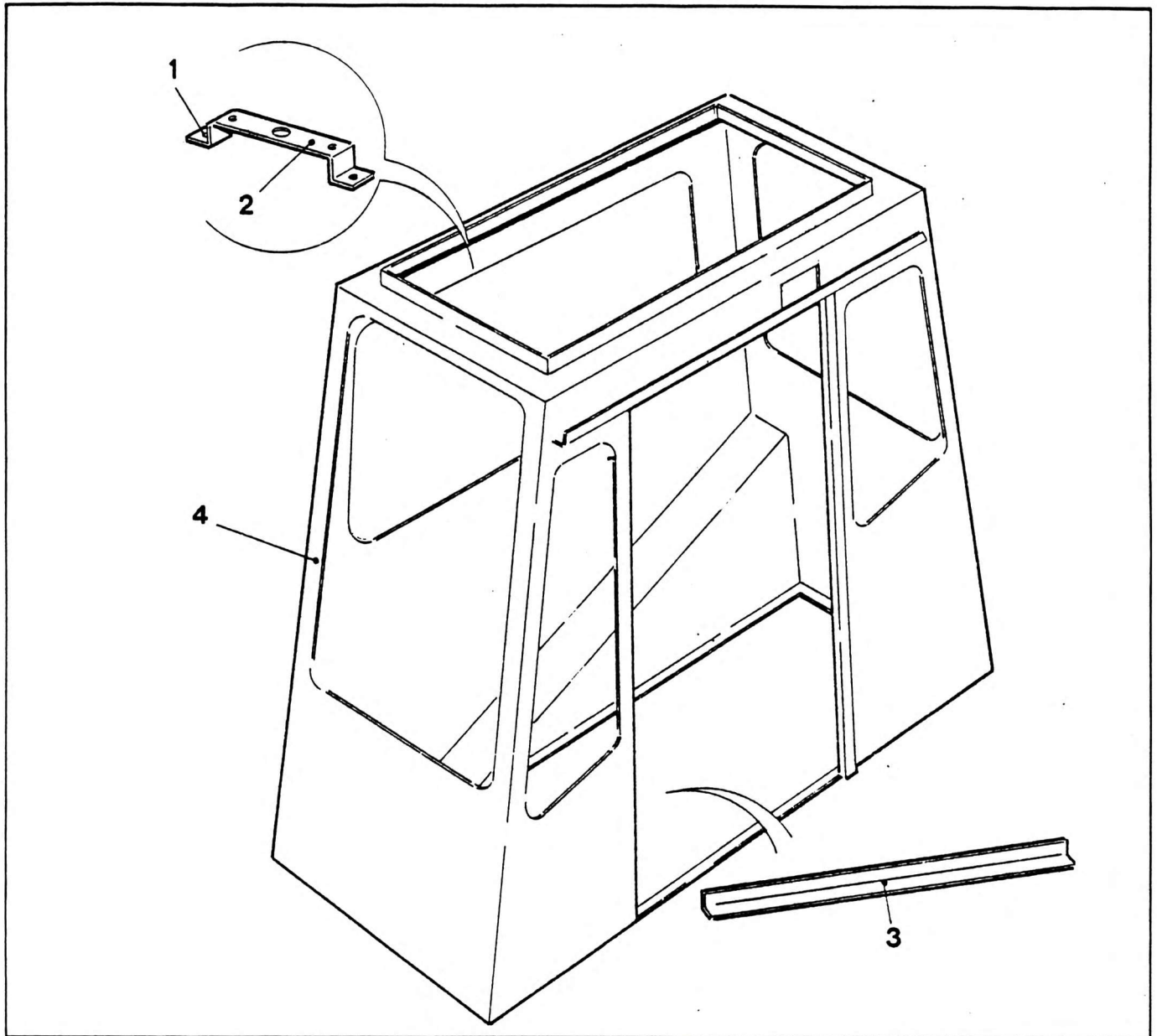


CAB WELD ASSEMBLY



NO.	PART NO.	QTY.	DESCRIPTION	NO.	PART NO.	QTY.	DESCRIPTION
1	7058109	2	Self Tapping Screws				
2	8785380	1	Bracket				
3	8789969	1	Angle Support				
4	6-245-990103	1	Cab Weld				

6-245-990103
Issue No. 01